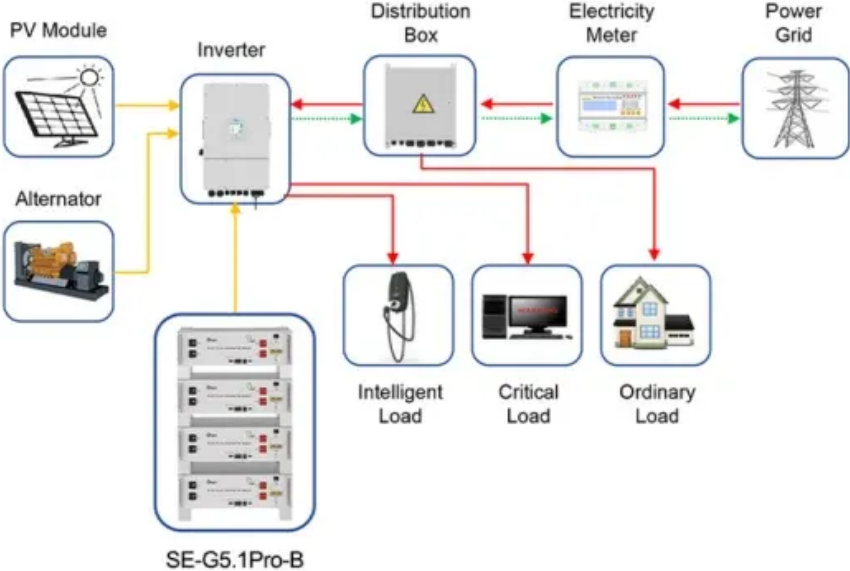


# Woodworking homemade solar panel diagram



Application scenarios of energy storage battery products



## Woodworking homemade solar panel diagram

---



### [Solar Panel Wiring Diagram for All Setups \[+ PDFs\] -](#)

With any solar DIY project, you need to know how your

### [Solar Panel Wiring Diagram for All Setups \[+ PDFs\] - Solartap](#)

With any solar DIY project, you need to know how your components connect. Read on to learn how to create a solar panel wiring diagram and see some examples.



### **Off-Grid Homestead Solar Wiring Diagram**

Use this as a guide to DIY your own massive off-grid solar system at a fraction of the cost. Also includes bonus wiring diagrams of each major component of the system!

### [How to Create a Basic Solar Panel Wiring Diagram?](#)

In this article we are going to teach you how to draw up a solar panel wiring diagram using Canva. Click to Learn!



### [DIY Solar Panel: Step-by-Step Guide to Making Your Own](#)



### [Build Your Own Solar Panel: A Step-by-Step DIY Guide](#)

Discover the steps to construct a solar panel from scratch, including material assembly, wiring, and installation, in this

Learn how to make a DIY solar panel at home. This step-by-step guide covers tools, costs, power output, and when to buy instead.



### [Build Your Own Solar Panel Frame: Step-by-Step Guide](#)

To build your own solar panel frame, you'll need basic tools like a saw, drill, and measuring tape, along with pressure-treated lumber and fasteners. Start by accurately measuring

### [DIY OFF GRID SOLAR SYSTEM : 12 Steps \(with Pictures\)](#)

Note: In the picture I have shown a big solar panel of 255W @ 24V, two batteries of 12V @ 100Ah each, 30A @ 12/24V PWM solar charge controller and a 1600 VA pure sine wave inverter.



### [16+ Clever DIY Solar Panel Plans \[Free Blueprints\]](#)

To build your own solar panel, you'll need to assemble the pieces, connect the cells, build a panel box, wire the panels, seal the box, and then

## How to Build a Solar Panel (with Pictures)

To build your own solar panel, you'll need to assemble the pieces, connect the cells, build a panel box, wire the panels, seal the box, and then finally mount your completed solar panel.



## [16+ Clever DIY Solar Panel Plans \[Free Blueprints\]](#)

Below, we collected an assortment of DIY solar panel plans. Some of them hack together solar cells into innovative designs, while several (#9 and #13, for example) show you how actually to

## [DIY Solar System - How to Build Your Own Off-Grid Power Setup](#)

Building your own DIY solar system is one of the most rewarding projects you can take on - it's affordable, sustainable, and puts you in full control of your power.



## Build Your Own Inexpensive Solar Panel

In this instructable, we will make a small 36W panel although the methodology to create a larger 200W or 300W panel is the same. Read on for the selection of solar cell voltage and power output for

## Contact Us

---

For off-grid system quotes, technical support, or partnerships, please visit:  
<https://www.kephamatraining.co.za>