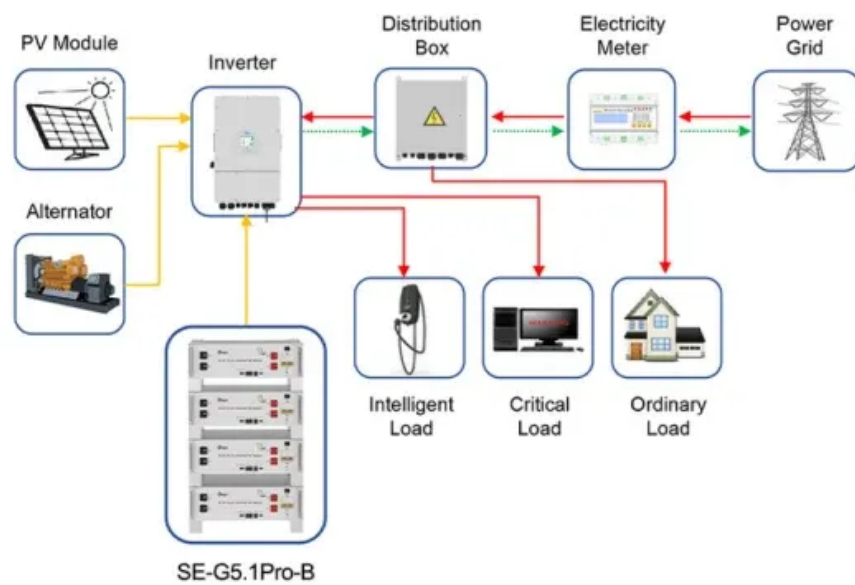


Are there subsidies for photovoltaic energy storage batteries



Application scenarios of energy storage battery products



Overview

The SGIP RSSE Program offers enhanced rebates for solar battery storage and rebates for solar plus battery storage systems.

Are there subsidies for photovoltaic energy storage batteries



THERE , English meaning

We can use there at the start of a clause as a type of indefinite subject. This means that we can put the actual subject at the end of the clause and so give it emphasis or focus (underlined below):

[California SGIP: Home Battery & Solar Rebates Explained](#)

The Self-Generation Incentive Program (SGIP) is a California incentive that helps pay for home energy storage systems-and certain solar



[California Solar Incentives 2025: Complete Guide to Tax Credits](#)

Battery Storage Inclusion: Under the Inflation Reduction Act, standalone battery



[California Solar Incentives, Tax Credits and Rebates](#)

The Self-Generation Incentive Program (SGIP) is intended to



[\\$280 Million Program to Expand Battery Storage and Solar Access for](#)

When combined with a federal tax credit, the program's financial incentives are designed to cover the full cost of installation. The CPUC's Self-



Generation Incentive Program (SGIP) provides incentives to

["Their" vs. "There" vs. "They're": What's the Difference?](#)

In this article, we'll explain the meanings of their, there, and they're, how to use each word correctly, and provide example sentences for each term. We'll also give some tips on how to



[California RSSE Solar and Battery Incentive Program](#)

Battery systems can qualify for rebates worth thousands, depending on size, energy storage capacity, and eligibility. Combined with the 30% federal

THERE Definition & Meaning

Note: Do not confuse there, which has meanings that mostly relate to a literal or abstract location, with the words their and they're. Their has to do with what belongs to or is associated with them (" their



[There Definition & Meaning . YourDictionary](#)

Used to introduce a clause or sentence. There are numerous items. There must be another exit.

[Add Solar and Battery Storage to Your Home for Little or No Cost](#)

SGIP provides financial incentives to

homeowners to install renewable energy technologies like solar



[California Solar Incentives, Tax Credits & Rebates 2026](#)

Rancho Mirage Energy Authority has a Residential Battery Program, which provides a



[THERE definition in American English , Collins English Dictionary](#)

You use there in front of certain verbs when you are saying that something exists, develops, or can be seen. Whether the verb is singular or plural depends on the noun which follows the verb.



[Free Solar and Battery Backup for Low-Income](#)

In 2025, the California Public Utilities Commission (CPUC) authorized an additional \$280 million to fund energy storage systems and solar

[there, adv., n., & int. meanings, etymology and more , Oxford English](#)

There are 27 meanings listed in OED's entry for the word there, six of which are labelled obsolete. See 'Meaning & use' for definitions, usage, and quotation evidence.





[California Solar Panel & Battery Tax Credits, Rebates](#)

The SGIP RSSE Program offers enhanced rebates for solar battery storage and rebates for solar plus battery storage systems. It covers 100% of

[There: different ways of using 'there' in English, Learn English Today](#)

English Grammar THERE The different ways of using 'there'. There is used as an adverb of place, to indicate the location of something. There can also be used in several other ways. Here are some



Their vs. There

When do we use "there"? While "their" is a seemingly simple word, with two distinct uses and a clear meaning, "there" is a little bit more complex, in regard to the contexts where it may appear. To be

Contact Us

For off-grid system quotes, technical support, or partnerships, please visit:
<https://www.kephamatraining.co.za>